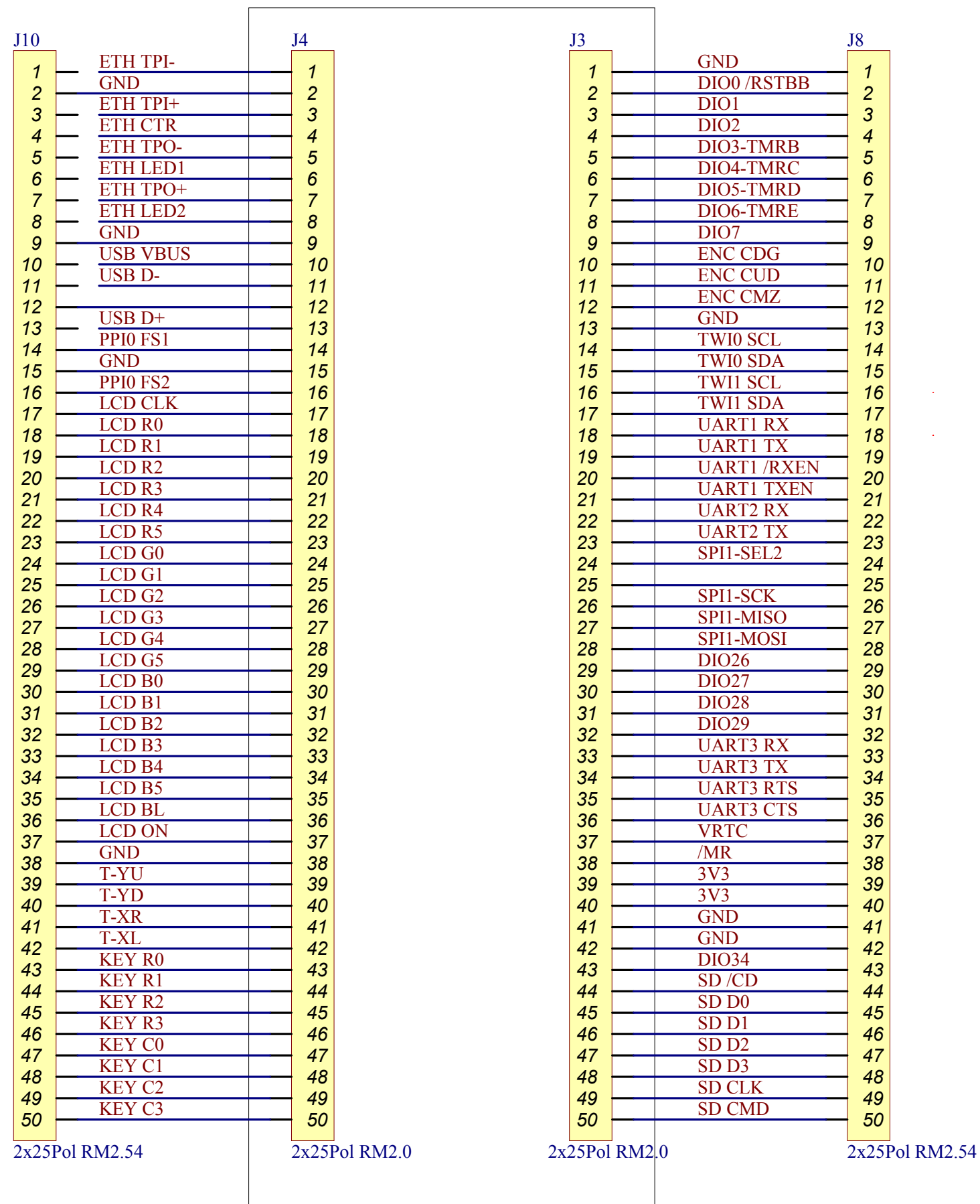
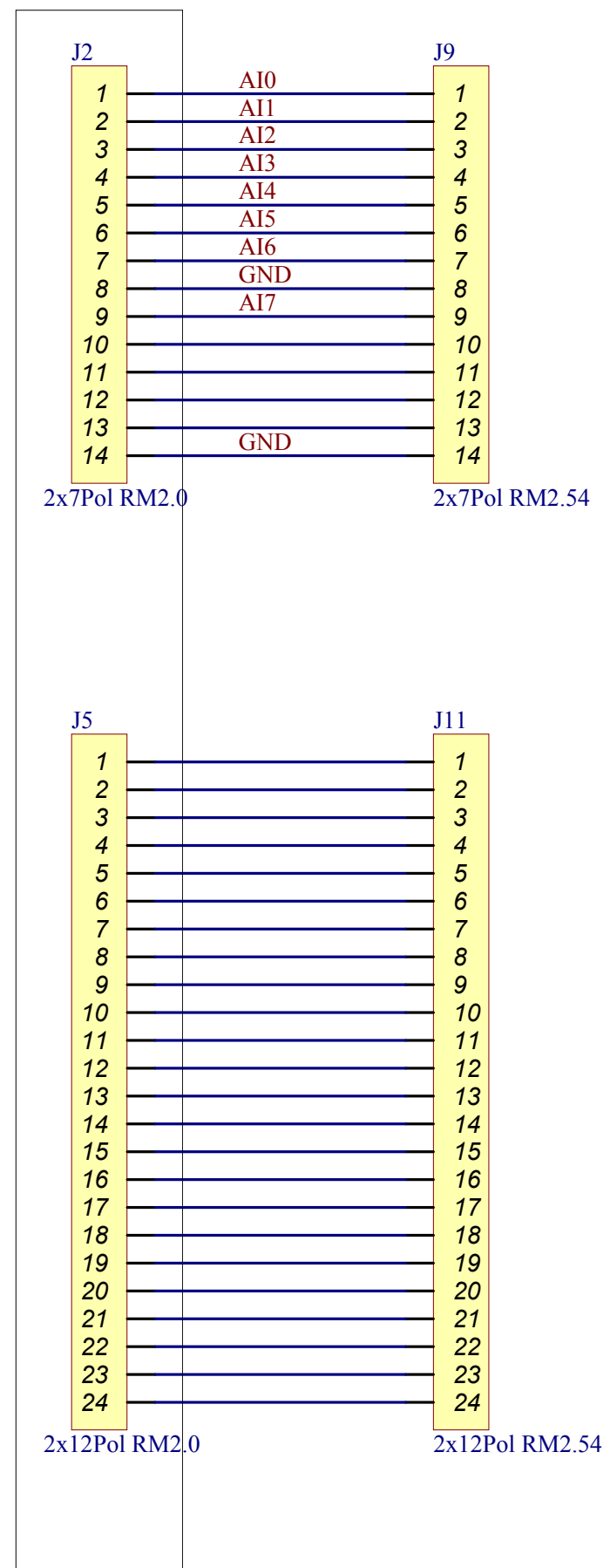


Gummifuss Transparent Gummifuss Transparent Gummifuss Transparent Gummifuss Transparent Gummifuss Transparent

Title DEV-Z48_C1_V0.1		Schmid Engineering AG Mezikonerstr.9 9542 Münchwilen		SCHMID ENGINEERING AG	
TopLevel		Revision:		Gez : 12.11.10 / ab	Gepr. : 5.3.11/ab
File:		Date: 11/8/2013 Time: 10:52:50 AM 1 of 10		Freigabe : 5.3.11/ab	

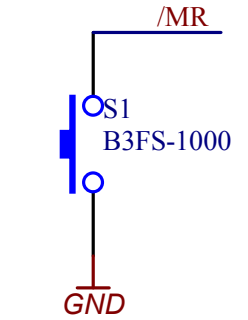


Core Module

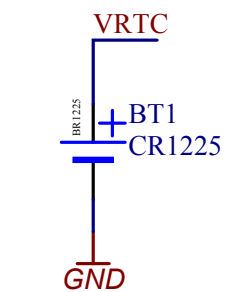


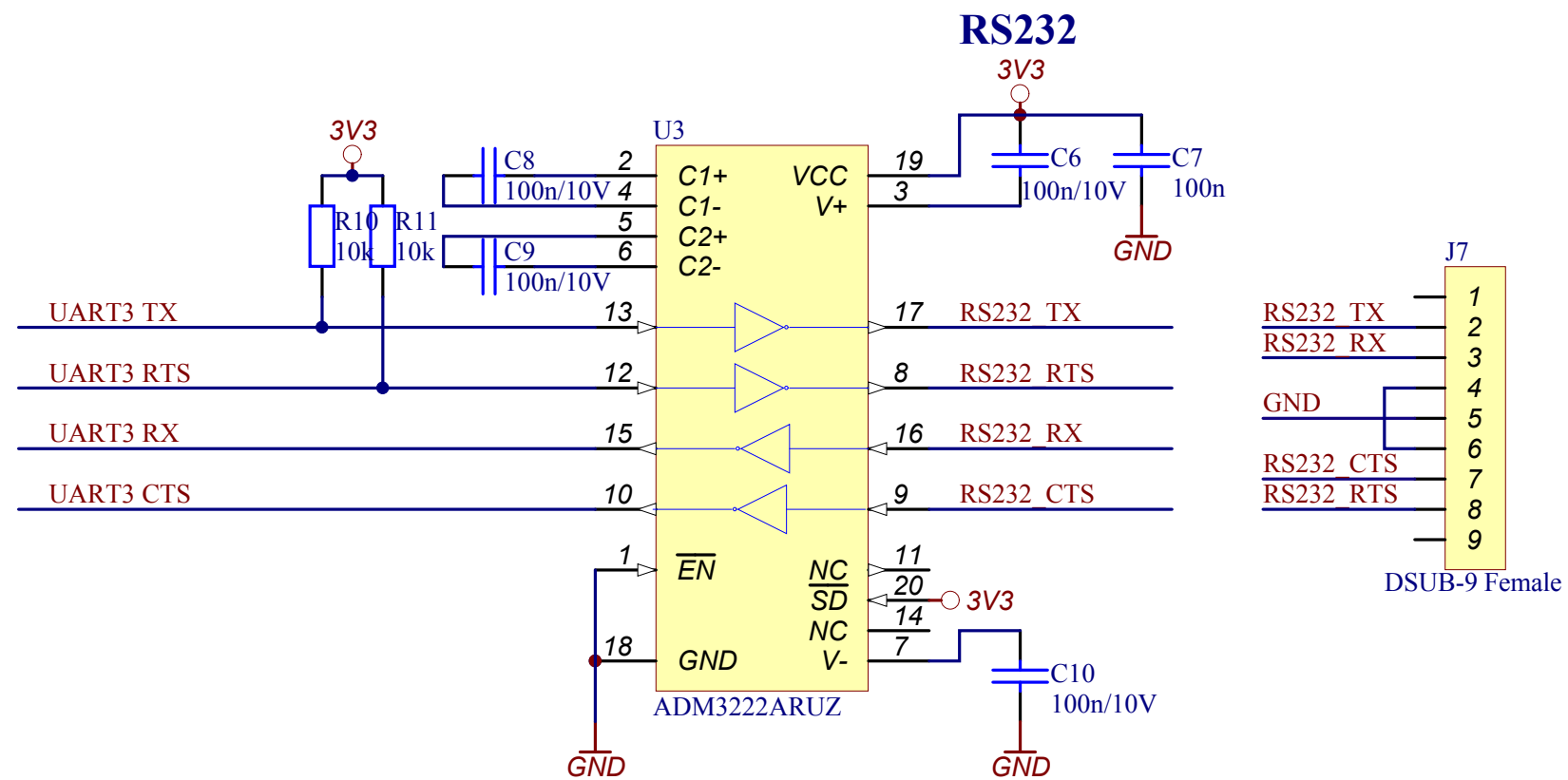
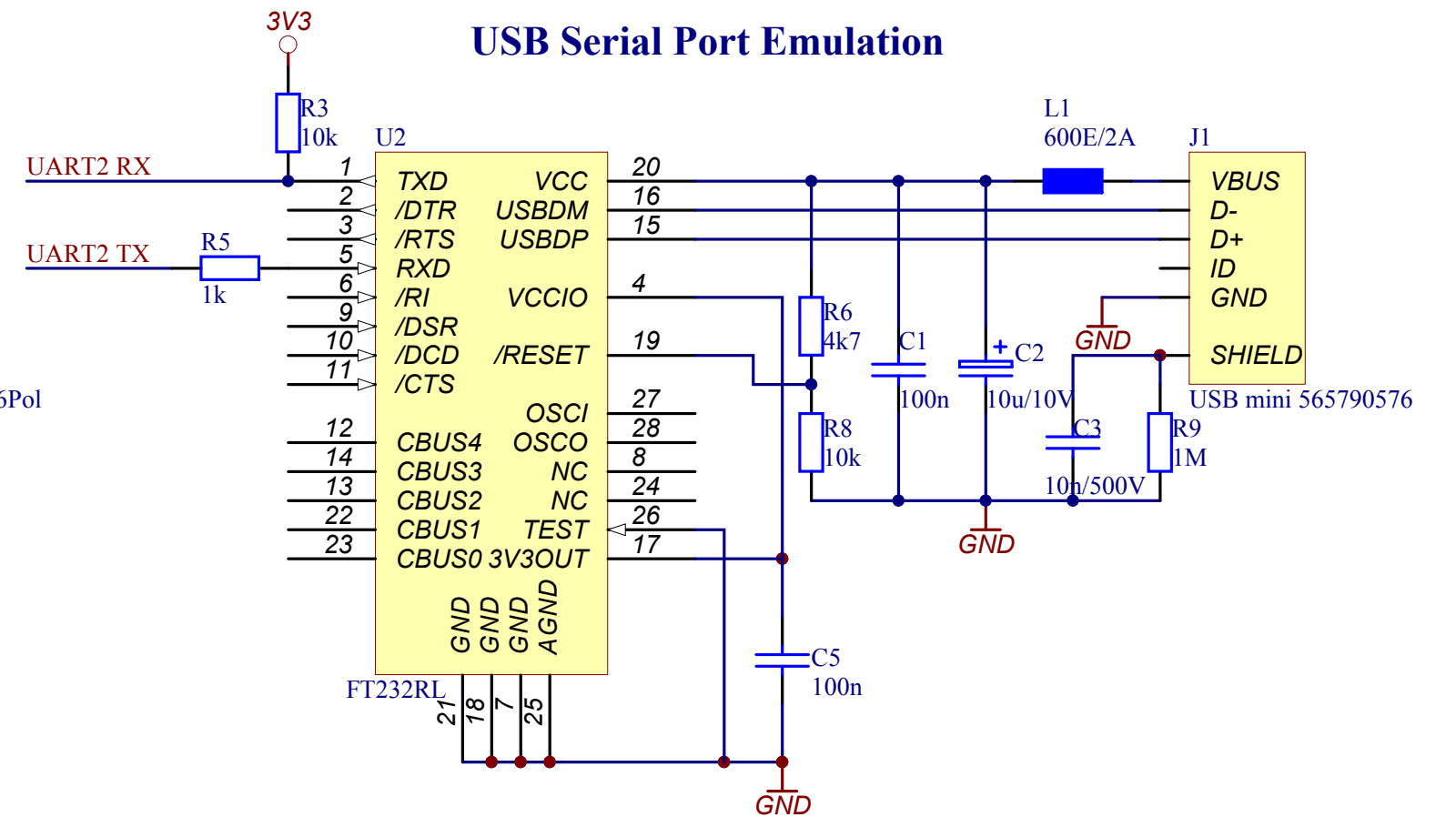
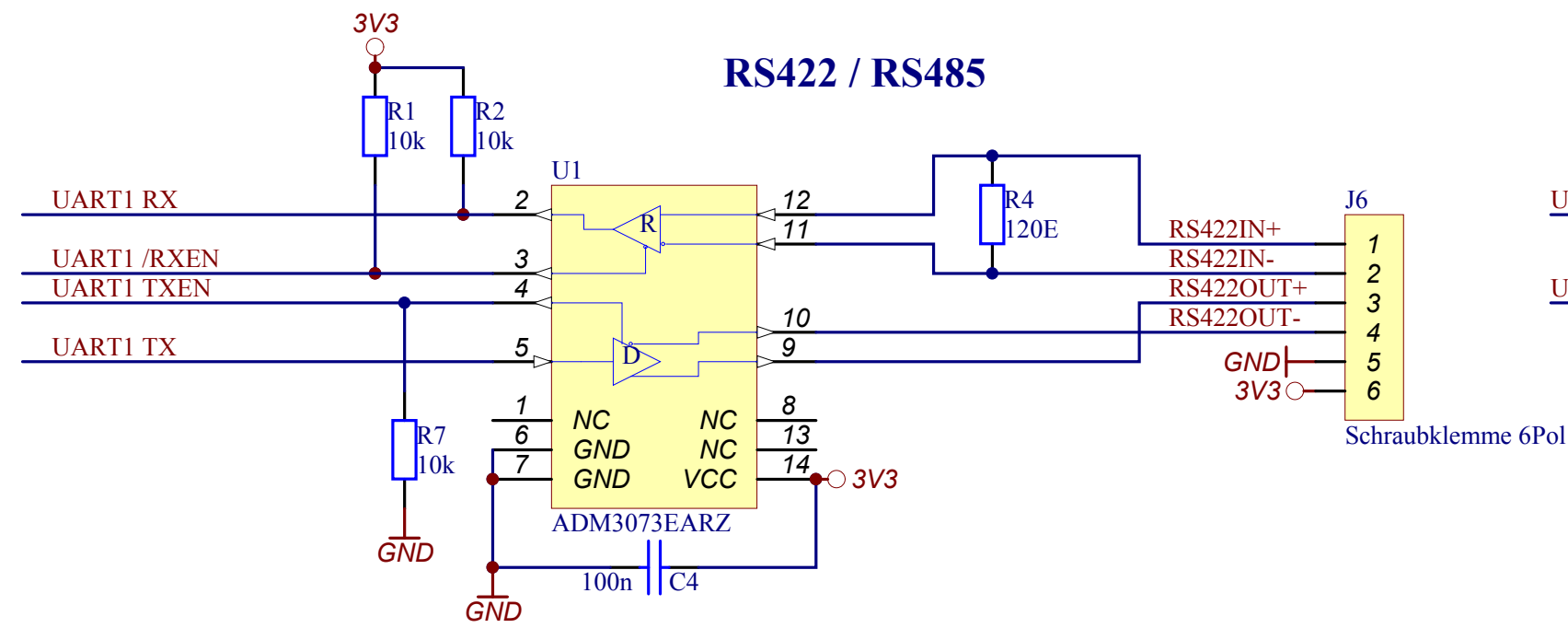
Core Module

Manuel Reset



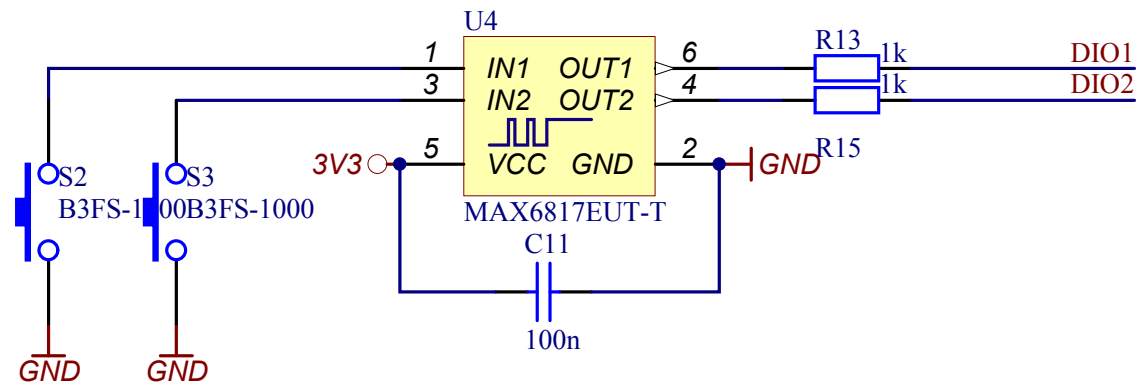
RTC Backup Battery



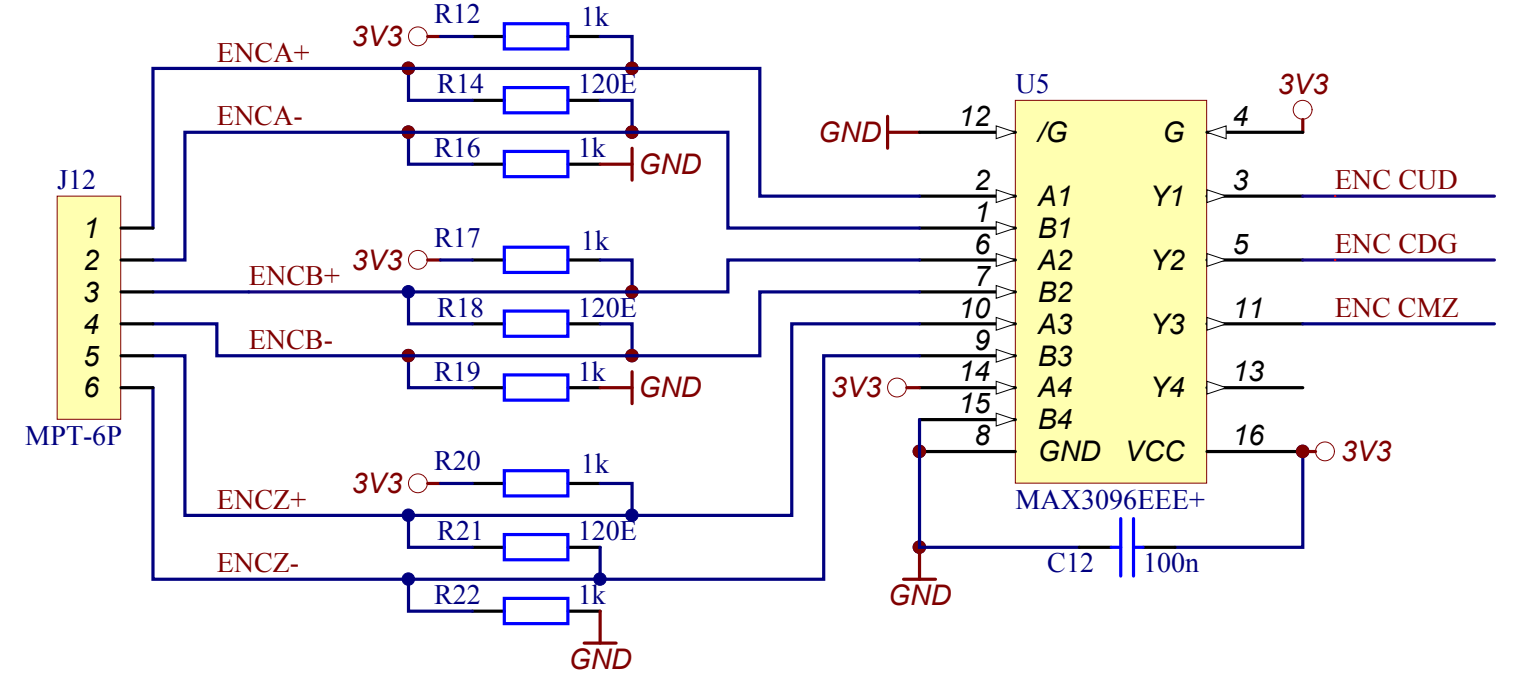


Title DEV-Z48_C1_V0.1		Schmid Engineering AG Mezikonerstr.9 9542 Münchwilen		SCHMID ENGINEERING AG	
COM	Revision:				
File:	Date: 11/8/2013	Time: 10:52:50 AM	3 of 10	Gez : 12.11.10 / ab	Gepr. : 5.3.11/ab
				Freigabe : 5.3.11/ab	

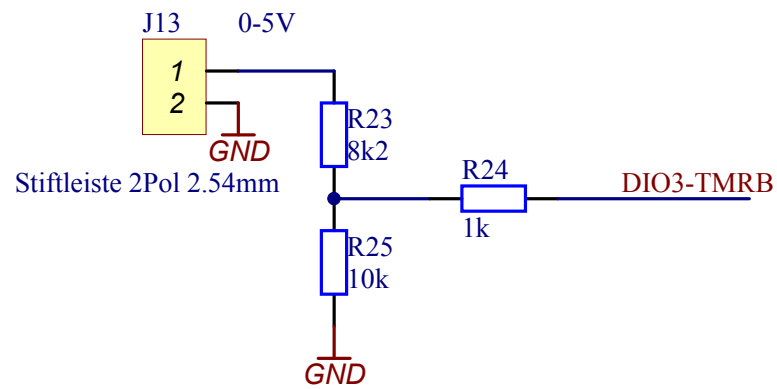
PushButton IN, debounced



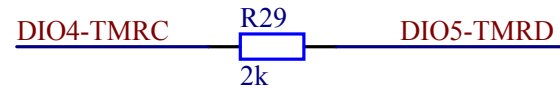
Differential Encoder Input



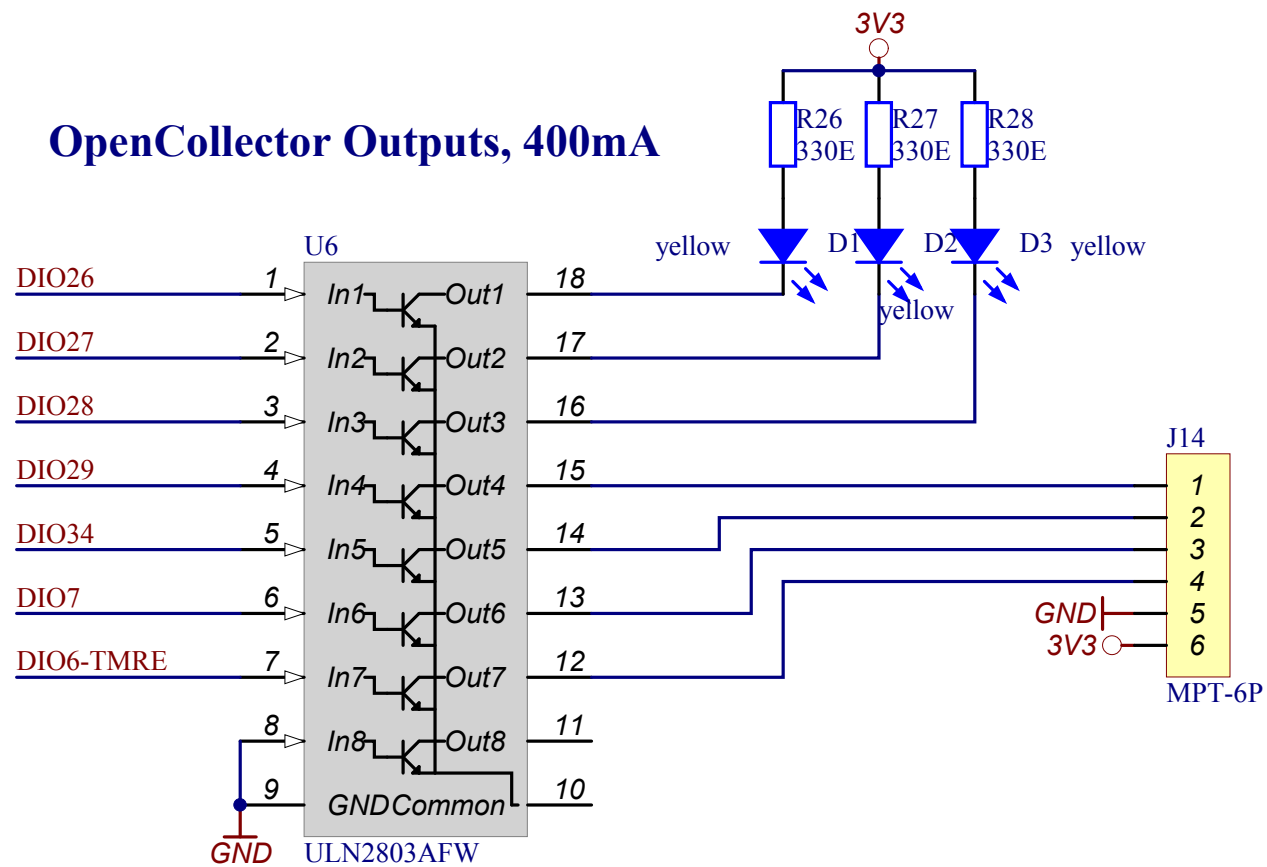
5V Logic Input



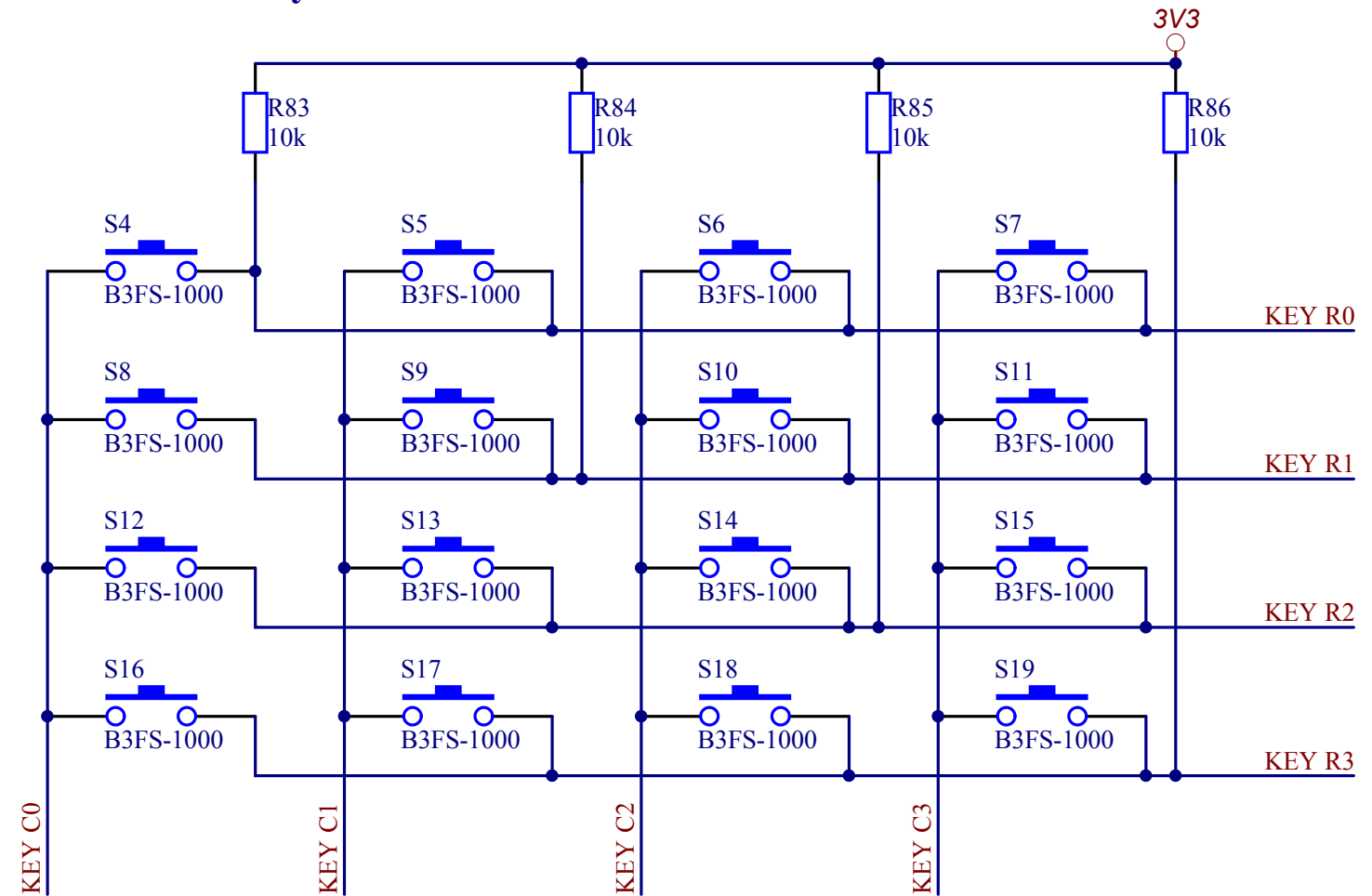
Timer Feed Through



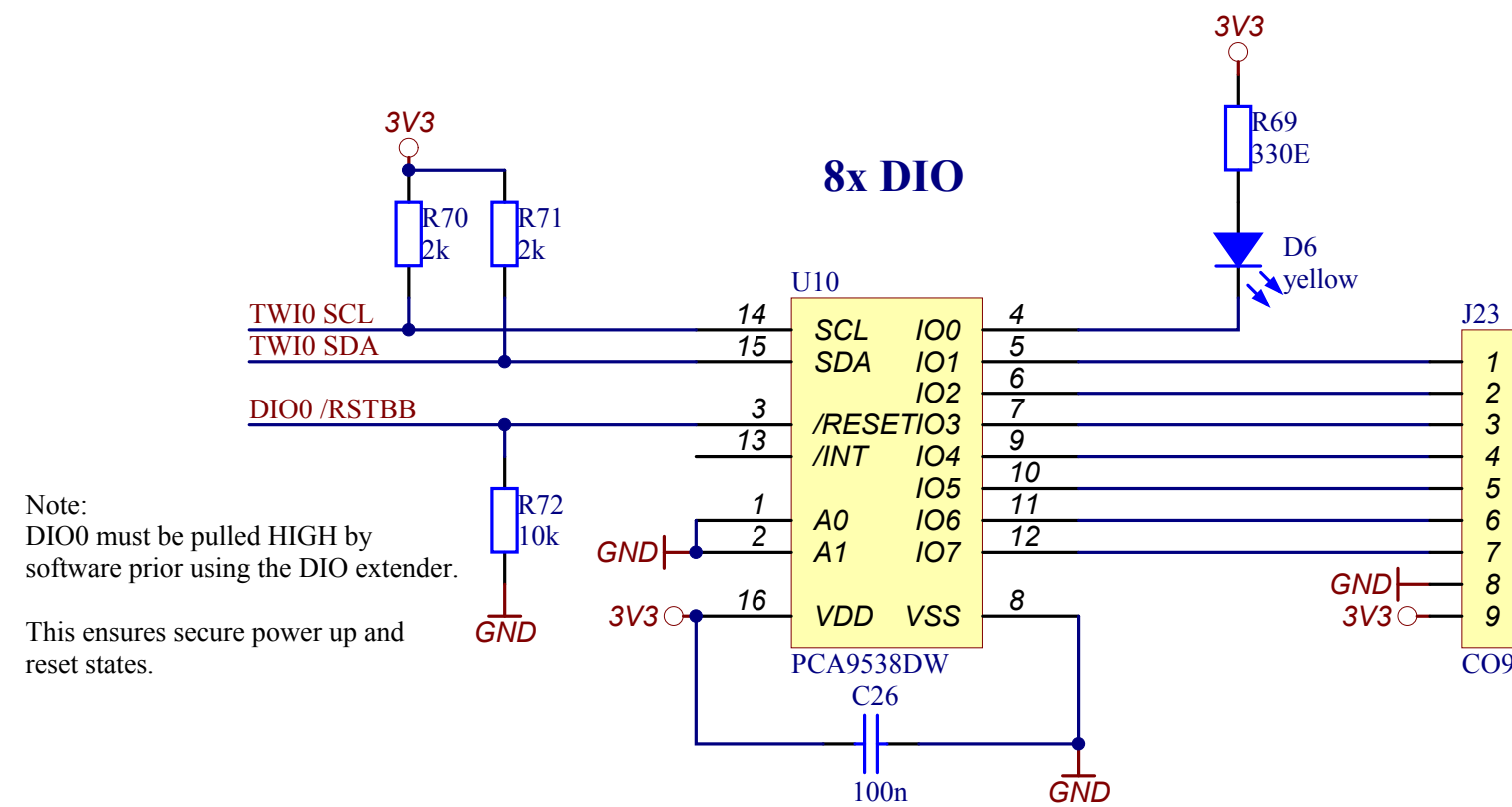
OpenCollector Outputs, 400mA



4x4 KeyMatrix

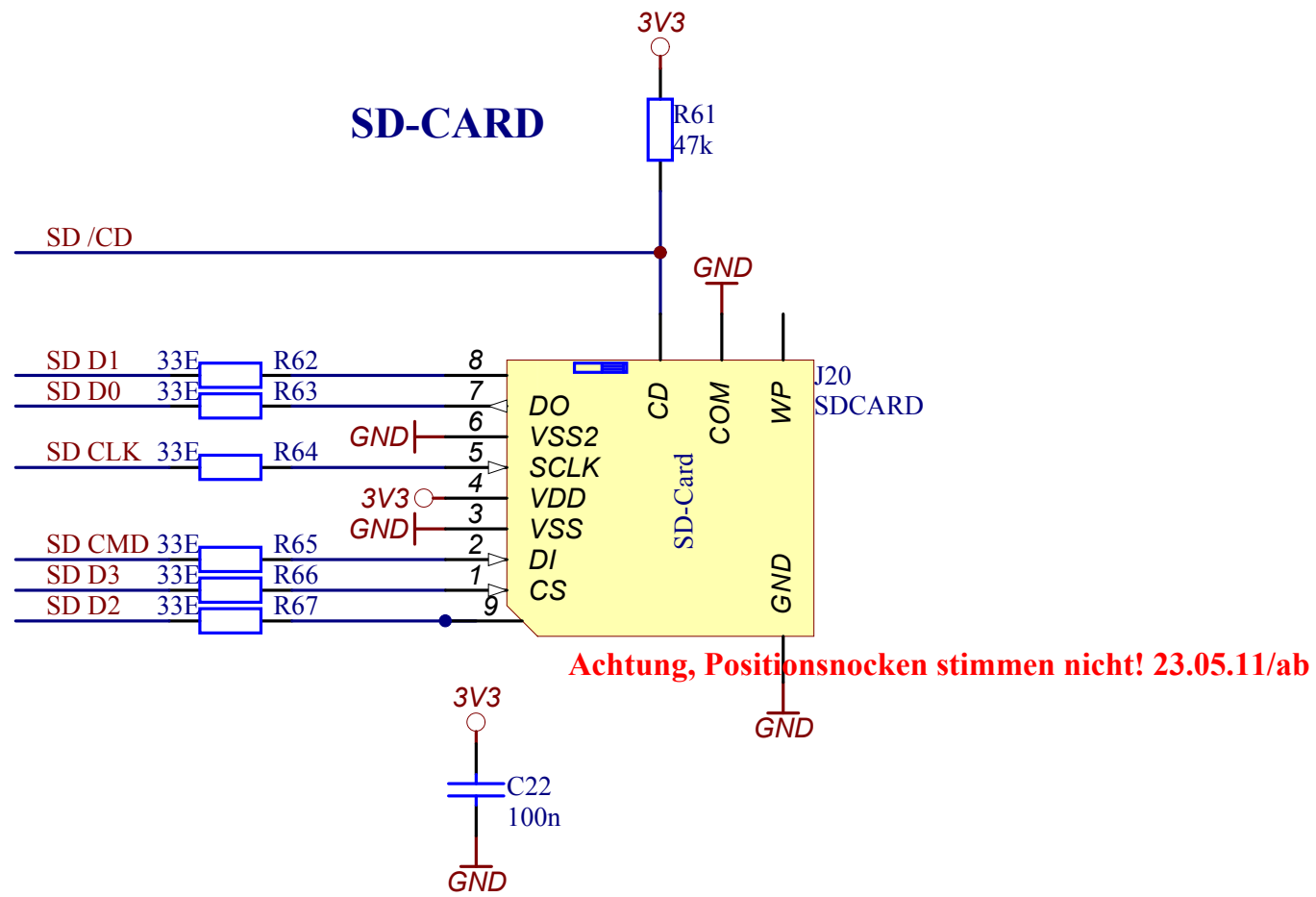
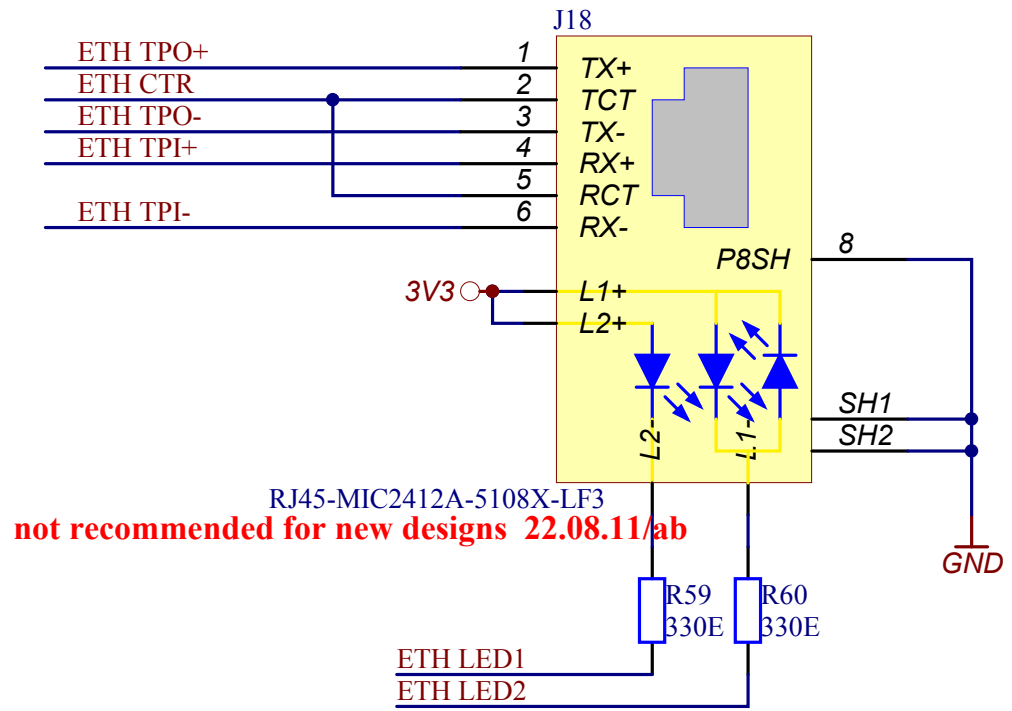
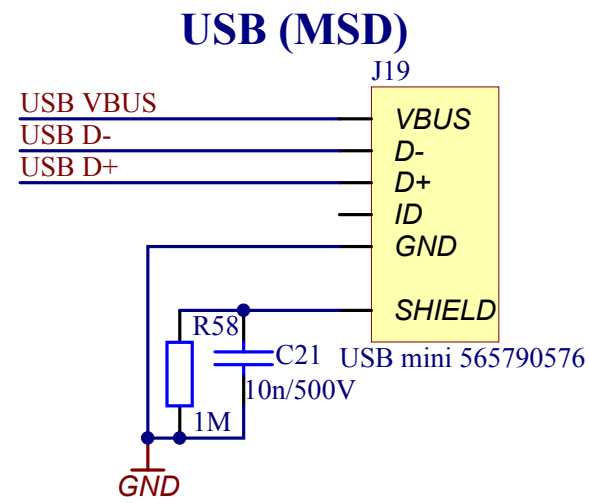


Title DEV-Z48_C1_V0.1		Schmid Engineering AG Marco Schmid Mezikonerstr.9 9542 Münchwilen		SCHMID ENGINEERING AG		
DIO	Revision:					Gez : 22.10.10 / ab
File:	Date: 11/8/2013	Time: 10:52:50 AM	of 10			



Note:
DIO0 must be pulled HIGH by software prior using the DIO extender.
This ensures secure power up and reset states.

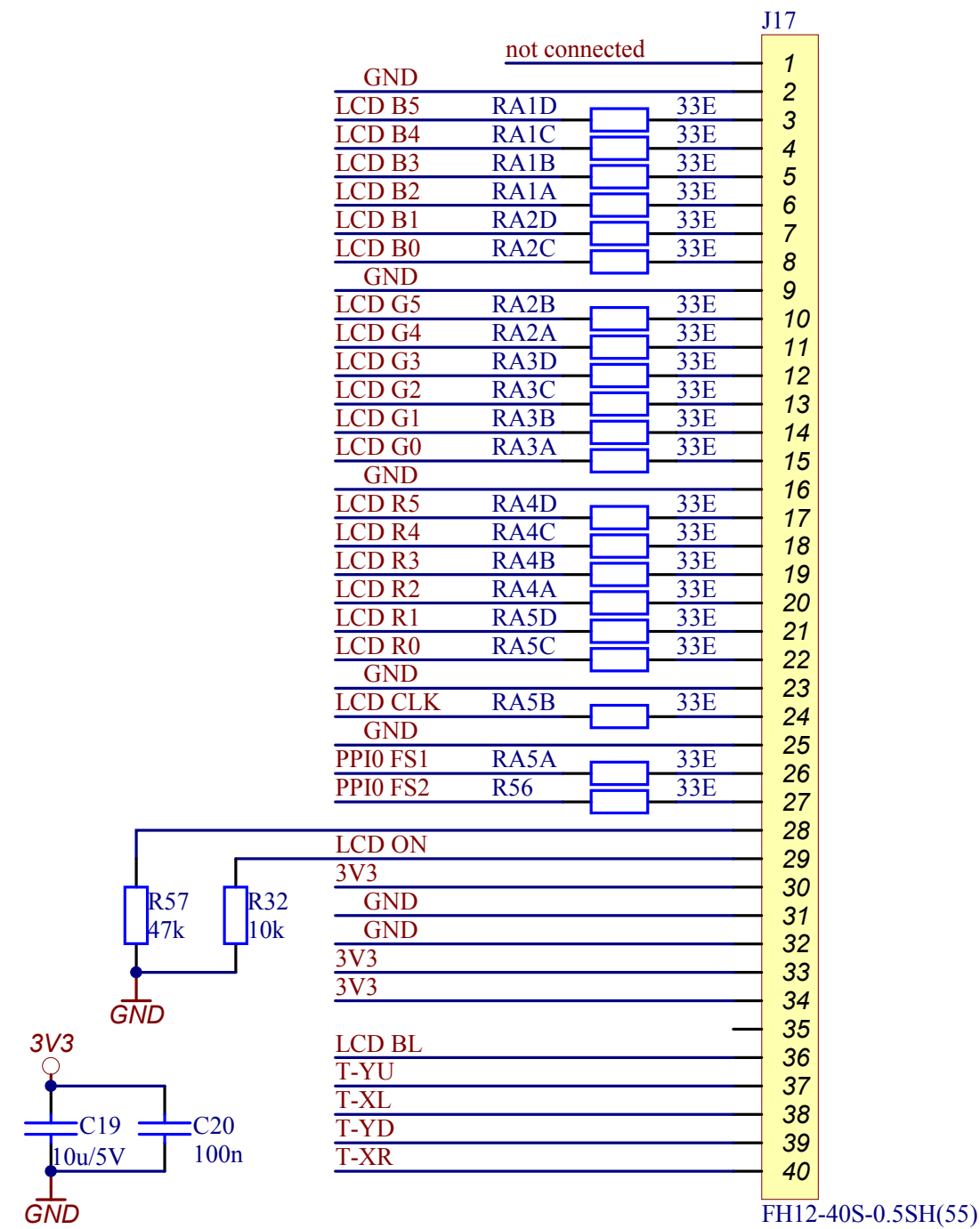
Title DEV-Z48_C1_V0.1		Schmid Engineering AG Mezikonerstr.9 9542 Münchwilen		SCHMID ENGINEERING AG		
DIO Extender		Revision:				
File:	Date: 11/8/2013	Time: 10:52:50 AM	5 of 10	Gez : 12.11.10 / ab	Gepr. : 5.3.11/ab	Freigabe : 5.3.11/ab



Title DEV-Z48_C1_V0.1		Schmid Engineering AG Mezikonerstr.9 9542 Münchwilen		SCHMID ENGINEERING AG	
ETHERNET		Revision:		Gez : 12.11.10 / ab	Gepr. : 5.3.11/ab
File:		Date: 11/8/2013 Time: 10:52:50 AM 6 of 10		Freigabe : 5.3.11/ab	

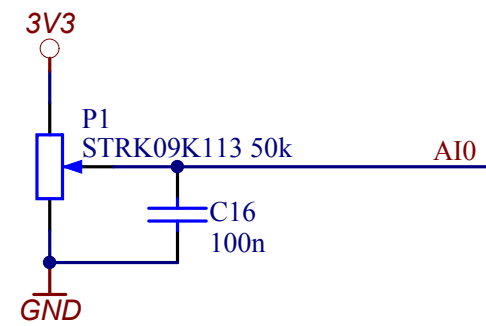
Display Connector GLYN Family

Display
ET0350G0DH6

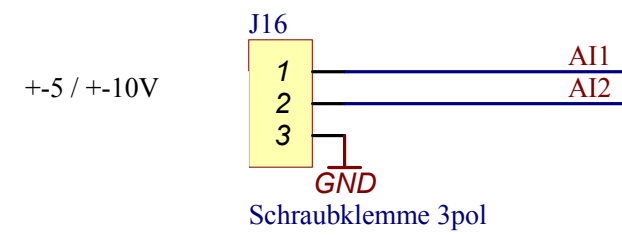


Title DEV-Z48_C1_V0.1		Schmid Engineering AG Mezikonerstr.9 9542 Münchwilen		SCHMID ENGINEERING AG	
Display GLYN		Revision:		Gez : 12.11.10 / ab	Gepr. : 5.3.11/ab
Date: 11/8/2013		Time: 10:52:50 AM		Freigabe : 5.3.11/ab	

AI-CH0

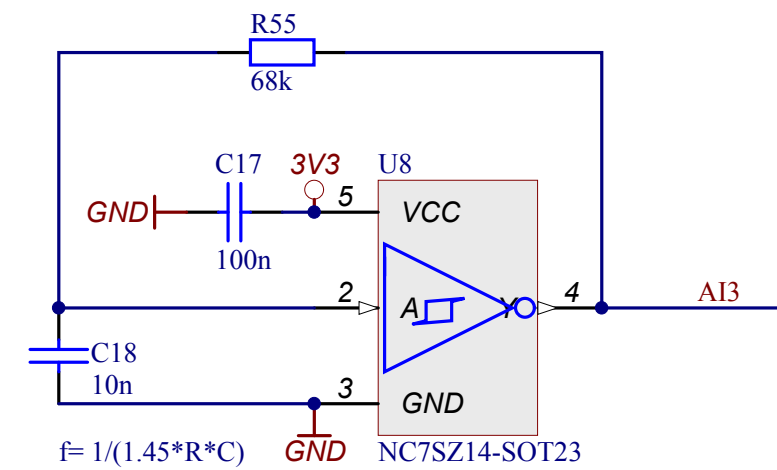


AI-CH[1+2]



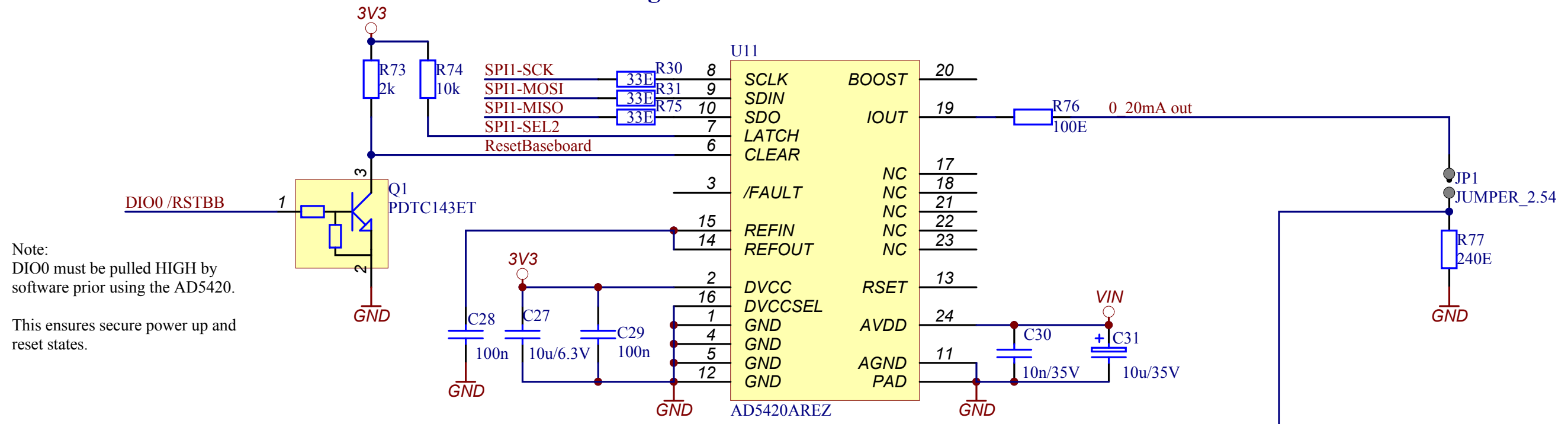
AI-CH3

Squarewave Simulator

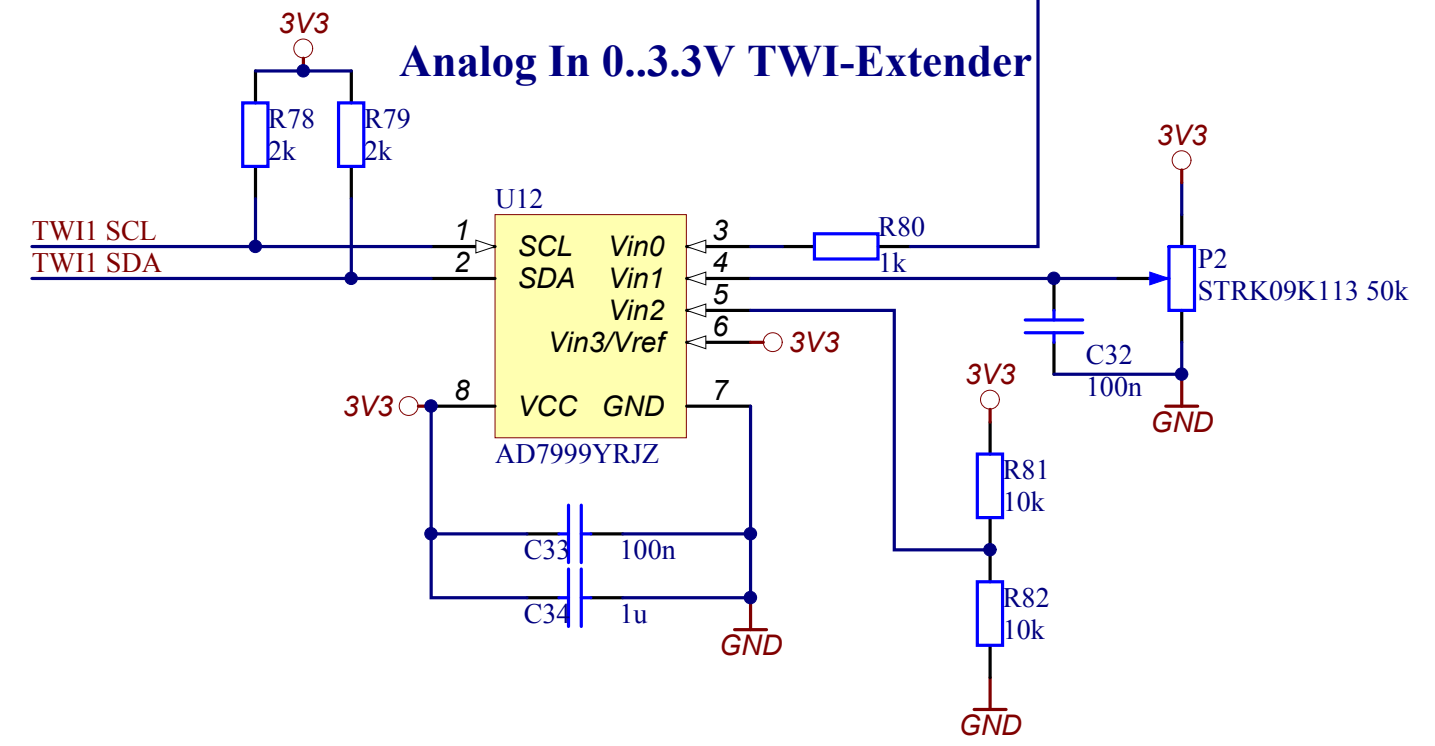


Title DEV-Z48_C1_V0.1		Schmid Engineering AG Mezikonerstr.9 9542 Münchwilen		SCHMID ENGINEERING AG	
Analog In		Revision:		Gez : 12.11.10 / ab	Gepr. : 5.3.11/ab
File:		Date: 11/8/2013 Time: 10:52:50 AMB of 10		Freigabe : 5.3.11/ab	

Analog Out 0..20mA SPI-Extender

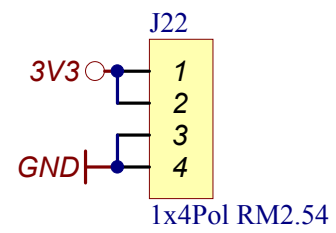
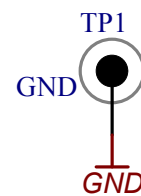
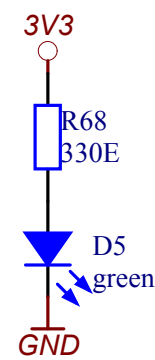
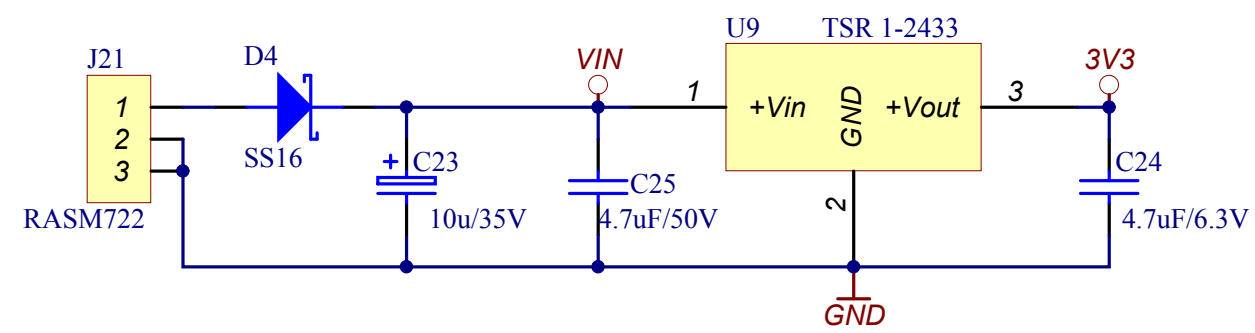


Analog In 0..3.3V TWI-Extender

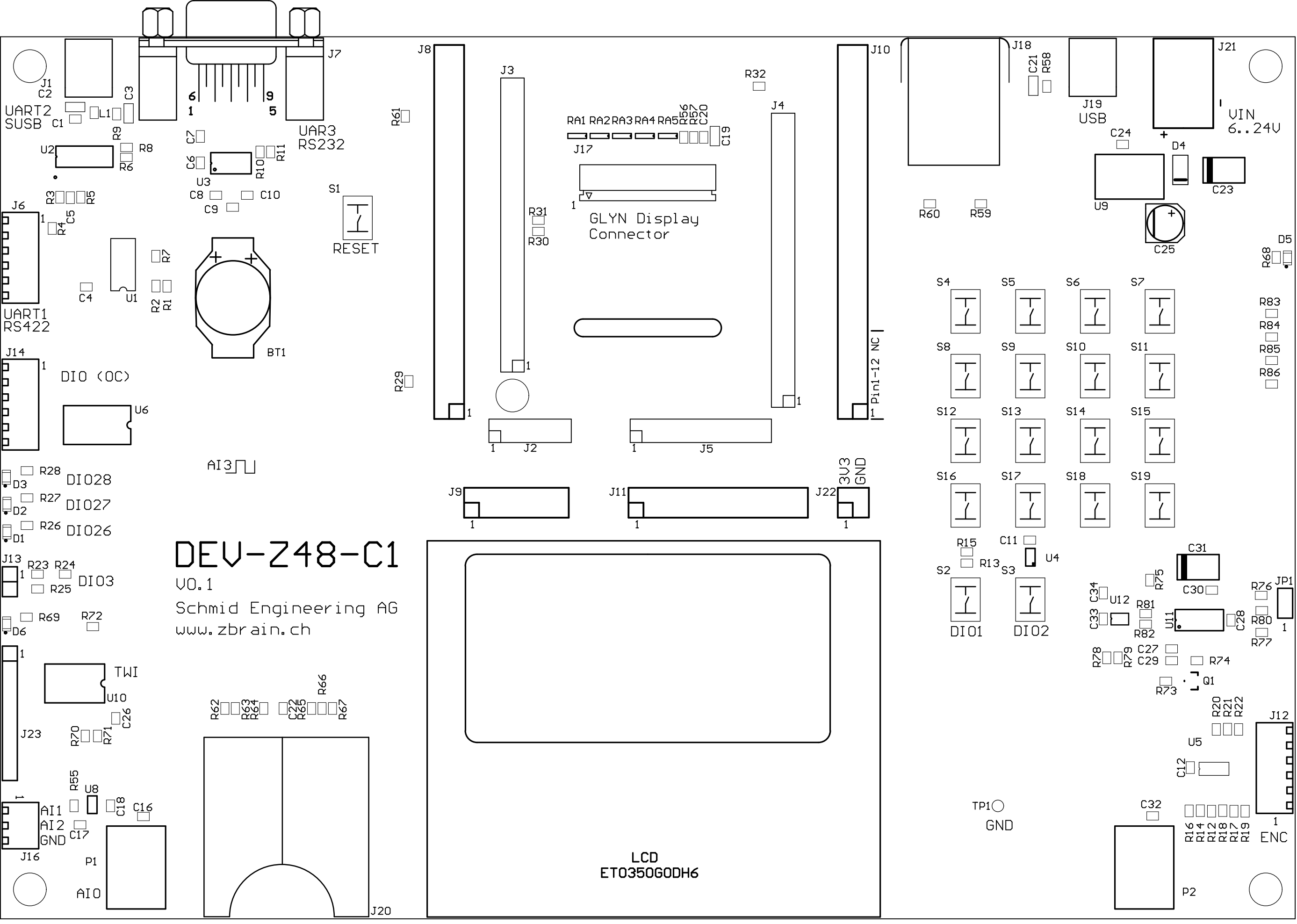


Title DEV-Z48_C1_V0.1		Schmid Engineering AG Mezikonerstr.9 9542 Münchwilen		SCHMID ENGINEERING AG	
AIO Extender		Revision:		Gez : 12.11.10 / ab	Gepr. : 5.3.11/ab
File:		Date: 11/8/2013 Time: 10:52:50 AM 9 of 10		Freigabe : 5.3.11/ab	

3.3V DCDC Supply



Title DEV-Z48_C1_V0.1		Schmid Engineering AG Mezikonerstr.9 9542 Münchwilen		SCHMID ENGINEERING AG		
Power	Revision:					
File:	Date: 11/8/2013	Time: 10:52:50 AM	10 of 10	Gez : 12.11.10 / ab	Gepr. : 5.3.11/ab	Freigabe : 5.3.11/ab



DEV-Z48-C1

VO.1
Schmid Engineering AG
www.zbrain.ch

LCD
ET0350G0DH6

ENC